

SIGN	DATE	DESCRIPTION	APPROVER
Δ			
Δ			
Δ			

Technical Data:

Material:

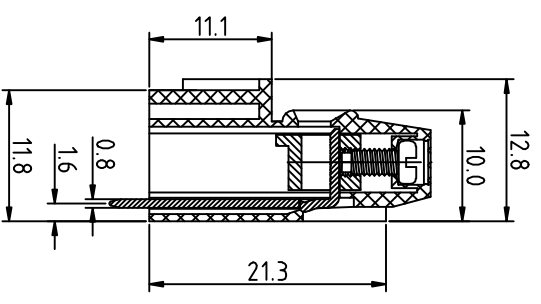
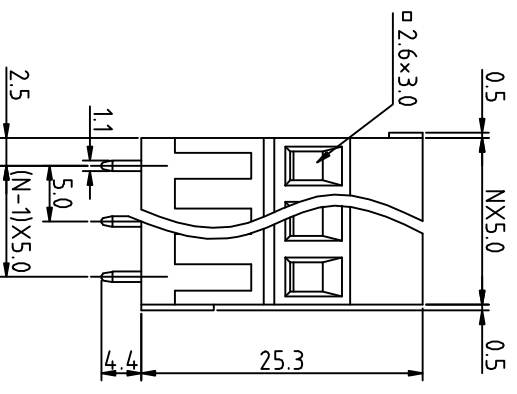
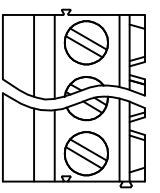
- Contact(metal housing): Zinc Die Casting or Brass Machined(option)
- Terminal screw: Steel galvanized and achromatized or Nickel plated or Tin plated(standard)(option)
- Solder Pin: Brass with Tin plated
- Insulator or body(housing): Polyamide(Glass filled)(UL94V-0)

Electrical

- Voltage rating: 300VAC
- Current rating: 15 Amps/way max
- Contact resistance: 20mΩ(max)
- Insulation resistance: 5000MΩ/1000V
- Withstanding Voltage: 2000VAC(1min) Test time=60sec/1pcs
- Wire range: 12-24AWG

Mechanical:

- Torque: 4kgf.cm/M2.5
- Operating temperature: -33°C to +120°C
- Soldering reliability: Test temperature= 250°C±10°C 5 seconds max



N=Number of contacts  
P.C.B LAYOUT

		<b>杰科电子有限公司</b> JIE KE ELECTRONICS CO., LTD.	
		PART NAME: JK128H-500	TITLE:
PART NO.:		DWG NAME:	
APPROVED BY	CHECKED BY	DESIGNED BY	DRAWN BY
孙学峰	杨丽霞	杨丽霞	杨丽霞
CUSTOM NO.:		UNITS: mm	
REVISION: B2		SCALE: 2/1	
Tolerance		x. ±0.50	
		xx ±0.30	
		xxx ±0.10	
		xx° ±1°	